

MODEL 5120

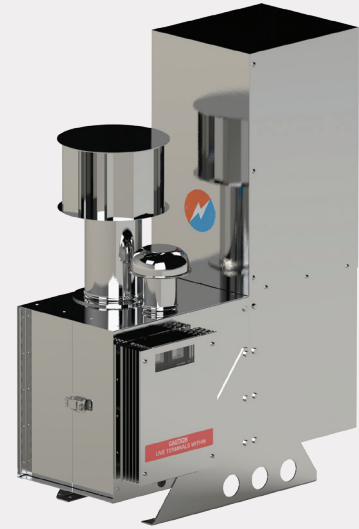
The Model 5120 Thermoelectric Generator contains no moving parts. It is a reliable, low-maintenance source of DC electrical power for any application where regular utilities are unavailable or unreliable.

KEY FEATURES:

- ✓ Automatic Spark Ignition (SI)
- ✓ Automatic Fuel Shut-Off (SO)
- ✓ Fuel Filter
- ✓ Low Voltage Alarm Contacts (VSR)
- ✓ Volt & Amp Meter (6.7V excluded)
- ✓ Reverse Current Protection

OPTIONAL FEATURES:

- ✓ Cathodic Protection Interface
- ✓ Pole or Bench Stand
- ✓ Corrosive Environmental Fuel System
- ✓ Flame Arrestor
- ✓ Marine Service
- ✓ Remote Start
- ✓ High BTU Gas Pack



SPECIFICATIONS

POWER SPECIFICATIONS

POWER RATING AT 20°C (68°F)

120 Watts @ 6.7 Volts 108 Watts @ 24 Volts
108 Watts @ 12 Volts 108 Watts @ 48 Volts

ELECTRICAL

OUTPUT ADJUSTMENT RANGE

6.7 Volts up to 11 Volts
12 Volts 12–18 Volts
24 Volts 24–30 Volts
48 Volts 48–60 Volts

Output: Terminal block which accepts up to 8 AWG wire. Opening for 3/4" conduit in base of cabinet.

FUEL REQUIREMENTS

*High BTU Gas Pack

NATURAL GAS

8.8m³/day (311 Sft³/day)
1000 BTU/Sft³ (37.7 MJ/Sm³) gas
*1200–1500 BTU/Sft³
(45.2–56.5 MJ/Sm³) gas
max 115 mg/Sm³ (~170 ppmw) H₂S
max 120 mg/Sm³ H₂O
max 1% free O₂

PROPANE

11.4 L/day (3.0 US gal/day)

NATURAL GAS/PROPANE

Max. Supply Pressure: 172 kPa (25 psi)
Min. Supply Pressure NG: 69 kPa (10 psi)
Min. Supply Pressure LPG: 103 kPa (15 psi)
Fuel Connection: 1/4" Male NPT

ENVIRONMENTAL

AMBIENT OPERATING TEMPERATURE

Max. +45°C (115°F)
Min. -40°C (-40°F)

OPERATING CONDITIONS

Unsheltered operation

Please contact GPT for operating conditions below -40°C or above +45°C.

CONSTRUCTION

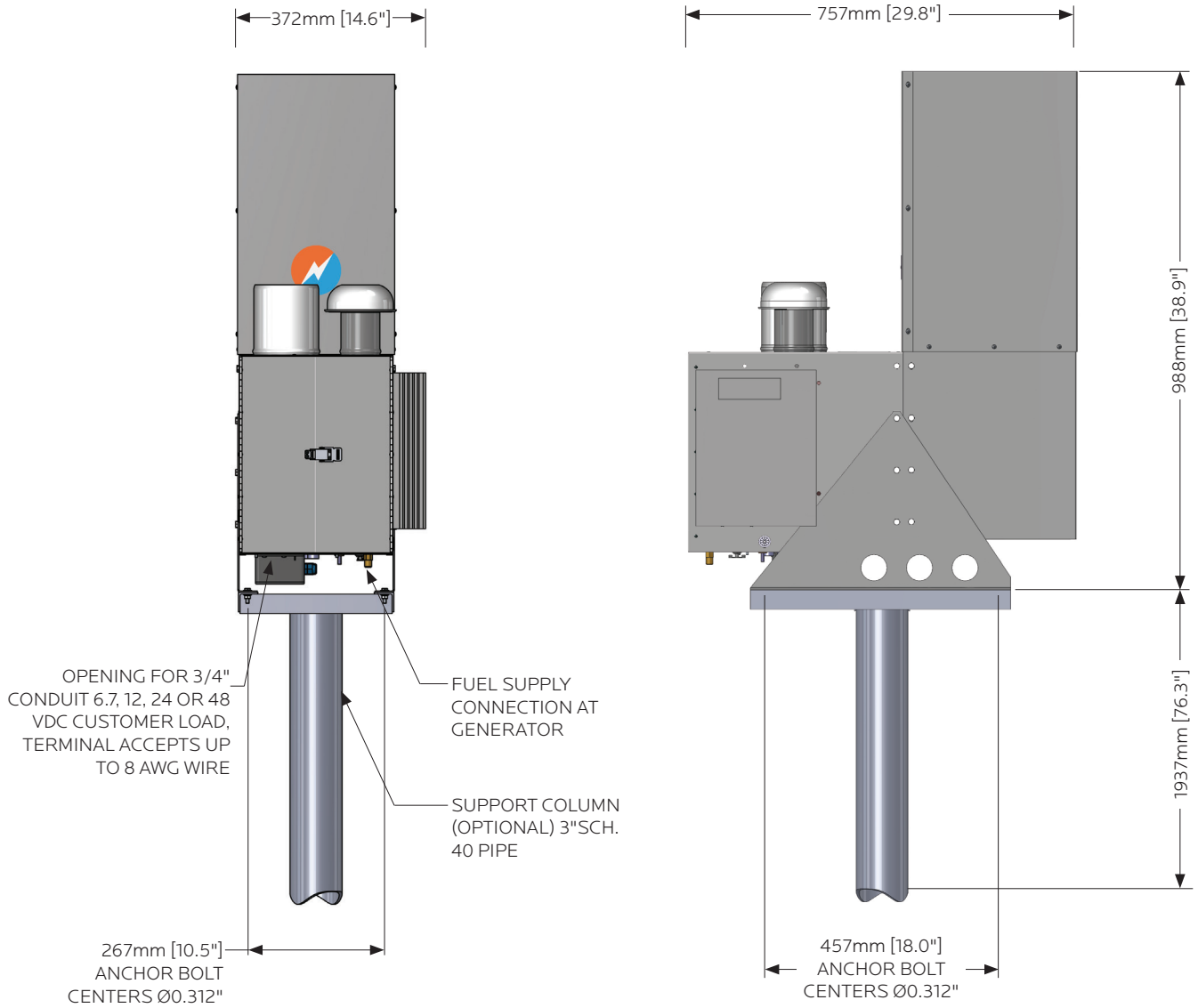
MATERIALS

Cabinet: 304 Stainless Steel (SS)
Cooling Type: Natural Convection
Fuel System: Brass, Aluminum & Stainless Steel

NOTES

Specifications shown are for standard 5120 configurations. Global Power Technologies (GPT) also offers customized products and systems to accommodate custom voltages, fuel supply systems and operating temperatures.

Specification data stated in this document is subject to change without notice. To verify these specifications are current, please contact your GPT sales representative.



NOTES:
Generator Weight: 60 kg [132 lb]

ISO
9001:2015
REGISTERED