

# MODEL 8550

## Thermoelectric Generator



The Model 8550 Thermoelectric Generator contains no moving parts. It is a reliable, low-maintenance source of DC electrical power for any application where regular utilities are unavailable or unreliable.

### KEY DESIGN FEATURES:

- ✓ Automatic Spark Ignition (SI)
- ✓ Automatic Fuel Shut-Off (SO)
- ✓ Fuel Filter
- ✓ Low Voltage Alarm Contacts (VSR)
- ✓ Reverse Current Protection

### OPTIONAL FEATURES:

- ✓ Corrosive Environmental Fuel System
- ✓ Bench Stand
- ✓ Ethylene Fueled
- ✓ Operation Over 4000m Elevation
- ✓ Cathodic Protection Interface



Specification Sheet

Power Specifications	Power Rating at 20°C:
	480 Watts @ 12 Volts
	550 Watts @ 24 Volts
	480 Watts @ 48 Volts

Electrical	Output Adjustment Range:
	12 V    11.4–12.6 Volts
	24 V    24–30 Volts
	48 V    47–57 Volts

Output: Terminal block which accepts up to 8 AWG wire.  
Opening for 3/4" conduit in base of cabinet.

Fuel Requirements	Natural Gas:
	48.0m <sup>3</sup> /day (1695 Sft <sup>3</sup> /day)
	1000 BTU/Sft <sup>3</sup> (37.7 MJ/Sm <sup>3</sup> ) gas
	max 115 mg/Sm <sup>3</sup> (~170 ppmw) H <sub>2</sub> S
	max 120 mg/Sm <sup>3</sup> H <sub>2</sub> O
	max 1% free O <sub>2</sub>
	Propane:
	76.0 l/day (20.1 US gal/day)

Max. Supply Pressure: 172 kPa (25 psi)  
Min. Supply Pressure (NG): 103 kPa (15 psi)  
Min. Supply Pressure (LPG): 140 kPa (20 psi)  
Fuel Connection: 1/4" MNPT

Environmental	Ambient Operating Temperature:
	Max. +45°C (115°F)
	Min. -40°C (-40°F)
	Operating Conditions:
	Unsheltered operation, shaded at >45°C

Please contact GPT for operating conditions below -40°C or above +45°C.

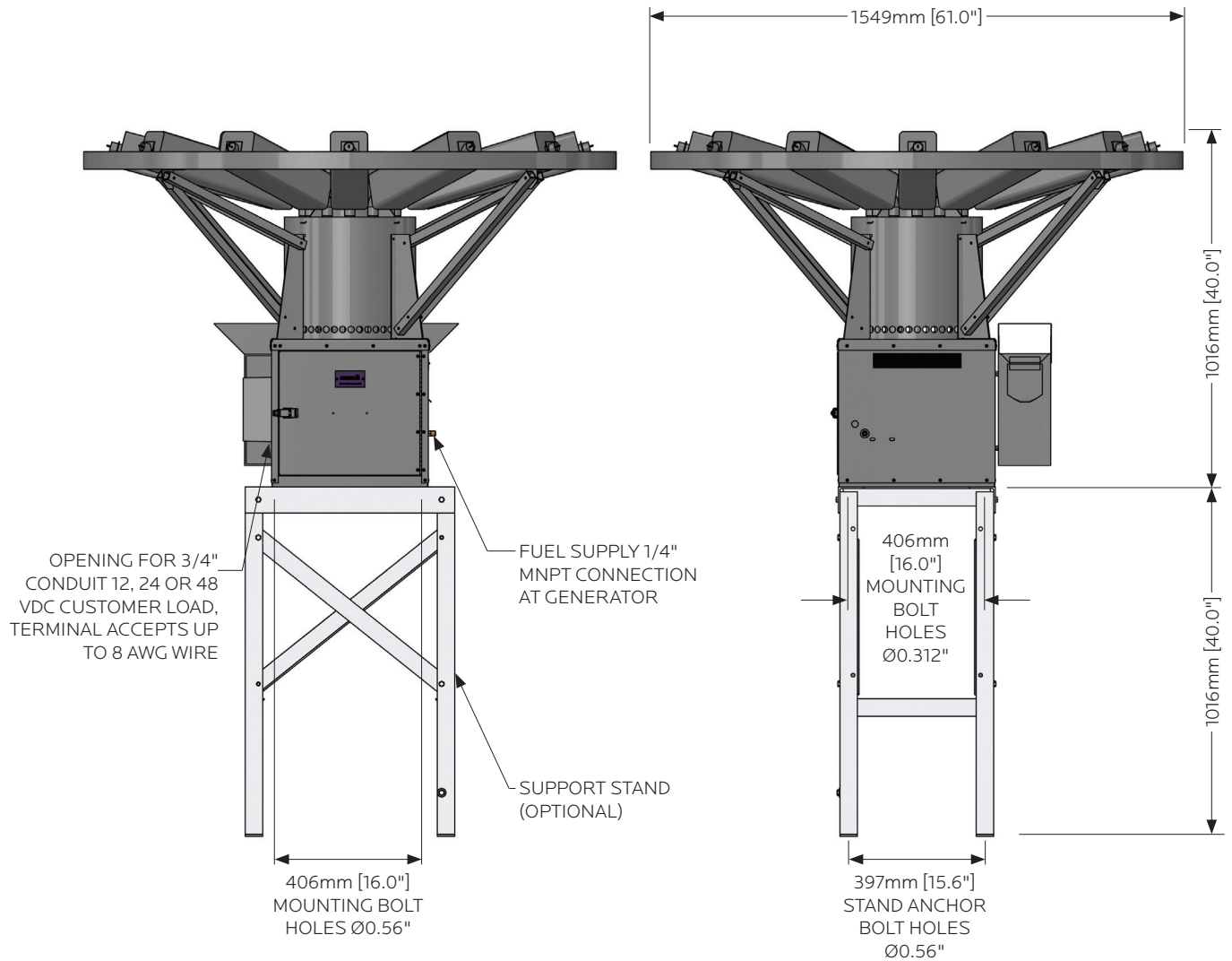
Construction	Materials:
	Cabinet: 304 Stainless Steel (SS)
	Cooling Type: Natural Convection
	Fuel System: Brass, Aluminum & Stainless Steel

#### Note:

Specifications shown are for standard 8550 configurations. Global Power Technologies (GPT) also offers customized products and systems to accommodate custom voltages, fuel supply systems and operating temperatures.

Specification data stated in this document is subject to change without notice. To verify these specifications are current, please contact your GPT sales representative.

**P** 403 236 5556  
**E** gptsales@globalte.com  
**W** www.globalte.com



**NOTES:**

Generator Weight: 102 kg [225 lb]

Model: 8550

**Global Power Technologies**

p 403 236 5556

e gptsales@globalte.com

w globalte.com

16, 7875 – 57 Street SE

Calgary, Alberta, Canada T2C 5K7