

MODEL P-5050

Thermoelectric Generator



The Model P-5050 Thermoelectric Generator contains no moving parts. It is a reliable, low-maintenance source of DC electrical power for any application where regular utilities are unavailable or unreliable.

KEY DESIGN FEATURES:

- ✓ Automatic Spark Ignition (SI)
- ✓ Automatic Fuel Shut-Off (SO)
- ✓ Fuel Filter
- ✓ Low Voltage Alarm Contacts (VSR)
- ✓ Reverse Current Protection
- ✓ API 12N Flame Arrestor (Natural Gas Only)
- ✓ Certified to CSA Std. T.I.L. R-10; CE

OPTIONAL FEATURES:

- ✓ Remote Start
- ✓ Corrosive Environmental Fuel System
- ✓ Cathodic Protection Interface
- ✓ Pole Mount or Bench Stand



Specification Sheet

| | |
|----------------------|------------------------------|
| Power Specifications | Power Rating at 20°C (68°F): |
| | 50 Watts @ 14 Volts |
| | 50 Watts @ 27 Volts |

| | |
|------------|--------------------------|
| Electrical | Output Adjustment Range: |
| | 12 V 12–18 Volts |
| | 24 V 24–30 Volts |

Output: Terminal block which accepts up to 8 AWG wire.
Opening for 3/4" conduit in base of cabinet.

| | |
|-------------------|--|
| Fuel Requirements | Natural Gas: |
| | 4.8m ³ /day (168 Sft ³ /day) |
| | 1000 BTU/Sft ³ (37.7 MJ/Sm ³) gas |
| | max 115 mg/Sm ³ (~170 ppmw) H ₂ S |
| | max 120 mg/Sm ³ H ₂ O |
| | max 1% free O ₂ |
| | Propane: |
| | 7.2 l/day (1.9 US gal/day) |

Max. Supply Pressure: 344 kPa (50 psi)
Min. Supply Pressure: 103 kPa (15 psi)
Fuel Connection: 1/4" MNPT

| | |
|---------------|--|
| Environmental | Ambient Operating Temperature: |
| | Max. +55°C (130°F) |
| | Min. -40°C (-40°F) |
| | Operating Conditions: |
| | Unsheltered operation, shaded at >45°C (113°F) |

Please contact GPT for operating conditions below -40°C or above +55°C.

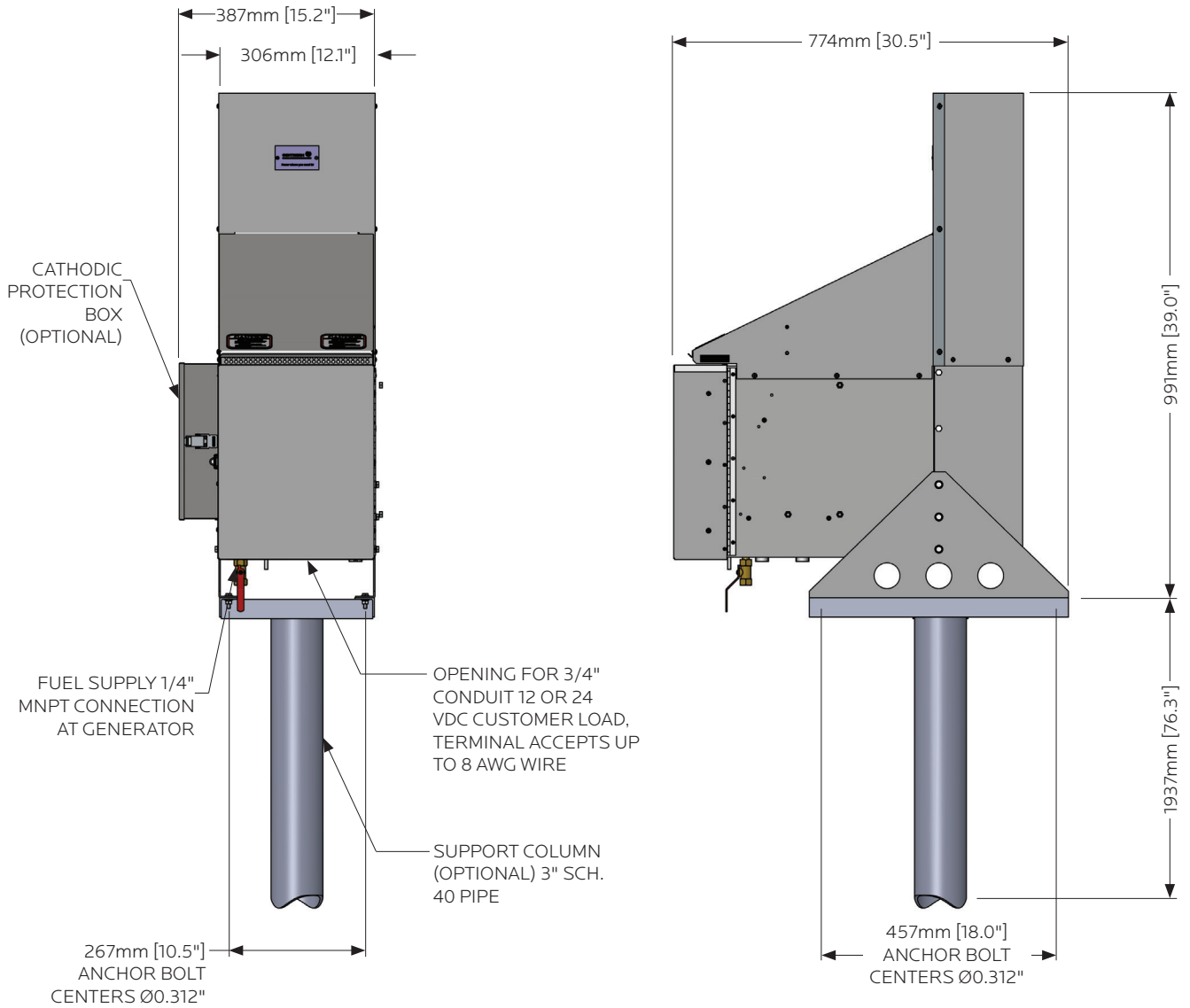
| | |
|--------------|--|
| Construction | Materials: |
| | Cabinet: 304 Stainless Steel (SS) |
| | Cooling Type: Natural Convection |
| | Fuel System: Brass, Aluminum & Stainless Steel |

Note:

Specifications shown are for standard P-5050 configurations. Global Power Technologies (GPT) also offers customized products and systems to accommodate custom voltages, fuel supply systems and operating temperatures.

Specification data stated in this document is subject to change without notice. To verify these specifications are current, please contact your GPT sales representative.

P 403 236 5556
E gptsales@globalte.com
W www.globalte.com



NOTES:

Generator Weight: 41 kg [90 lb]

Model: P-5050

Certified to CSA Std. T.I.L. R-10; CE



Global Power Technologies

p 403 236 5556

e gptsales@globalte.com

w globalte.com

16, 7875 – 57 Street SE

Calgary, Alberta, Canada T2C 5K7

Typical Dimensions

Model P-5050

ISO
9001:2008
REGISTERED