

MODEL P-5050

The Model P-5050 Thermoelectric Generator contains no moving parts. A reliable, low-maintenance source of DC power for any application where regular utilities are unavailable or unreliable.

KEY FEATURES:

- ✓ Automatic Spark Ignition (SI)
- ✓ Automatic Fuel Shut-Off (SO)
- ✓ Fuel Filter
- ✓ Low Voltage Alarm Contacts (VSR)
- ✓ Reverse Current Protection
- ✓ API 12N Flame Arrestor (Natural Gas Only)
- ✓ Certified to CSA Std. T.I.L. R-10; CE

OPTIONAL FEATURES:

- ✓ Remote Start
- ✓ Corrosive Environmental Fuel System
- ✓ Cathodic Protection Interface
- ✓ Converter Box
- ✓ Heat Recovery System (HRS)
- ✓ Pole Mount or Bench Stand



SPECIFICATIONS

POWER SPECIFICATIONS

POWER RATING AT 20°C (68°F)

50 Watts @ 14 Volts 50 Watts @ 27 Volts
40 Watts @ 54 Volts

ELECTRICAL

OUTPUT ADJUSTMENT RANGE

12 Volts 12–18 Volts
24 Volts 24–30 Volts
48 Volts 53–57 Volts

Note: 12/24 VDC Models: Terminal block accepts up to 8 AWG wire. Opening for 3/4" conduit in base of cabinet.
48 VDC: Terminal block accepts up to 4 AWG wire.

FUEL REQUIREMENTS

NATURAL GAS

4.8m³/day (168 Sft³/day)
1000 BTU/Sft³ (37.7 MJ/Sm³) gas
max 115 mg/Sm³ (~170 ppmw) H₂S
max 120 mg/Sm³ H₂O
max 1% free O₂

PROPANE

7.2 L/day (1.9 US gal/day)

NATURAL GAS/PROPANE

Max. Supply Pressure: 344 kPa (50 psi)
Min. Supply Pressure: 103 kPa (15 psi)
Fuel Connection: 1/4" Female NPT

ENVIRONMENTAL

AMBIENT OPERATING TEMPERATURE

Max. +55°C (130°F)
Min. -40°C (-40°F)

OPERATING CONDITIONS

Unsheltered operation, shaded at >45°C (113°F)

Please contact GPT for operating conditions below -40°C or above +55°C.

CONSTRUCTION

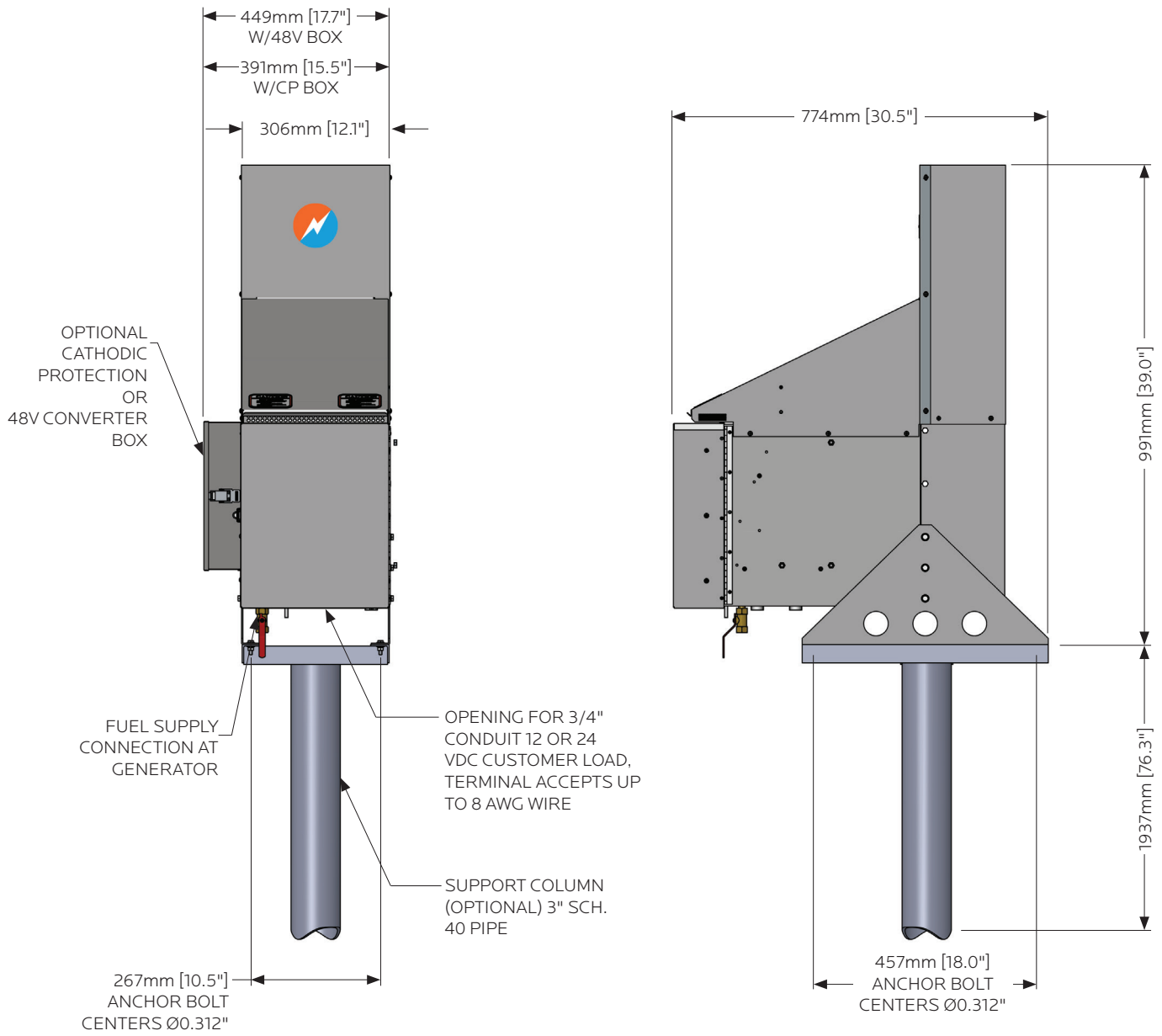
MATERIALS

Cabinet: 304 Stainless Steel (SS)
Cooling Type: Natural Convection
Fuel System: Brass, Aluminum & Stainless Steel

NOTES

Specifications shown are for standard P-5050 configurations. Global Power Technologies (GPT) also offers customized products and systems to accommodate custom voltages, fuel supply systems and operating temperatures.

Specification data stated in this document is subject to change without notice. To verify these specifications are current, please contact your GPT sales representative.



NOTES:

Generator Weight: 41 kg [90 lb]
 Certified to CSA Std. T.I.L. R-10; CE

ISO
 9001:2008
 REGISTERED

