

MODEL 8550

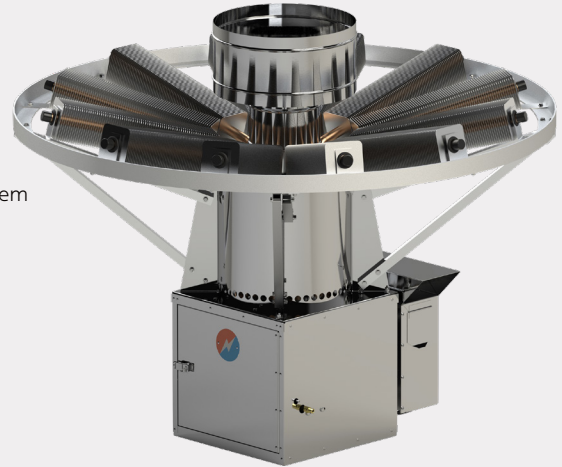
The Model 8550 Thermoelectric Generator contains no moving parts. It is a reliable, low-maintenance source of DC electrical power for any application where regular utilities are unavailable or unreliable.

KEY FEATURES:

- ✦ Automatic Spark Ignition (SI)
- ✦ Automatic Fuel Shut-Off (SO)
- ✦ Fuel Filter
- ✦ Low Voltage Alarm Contacts (VSR)
- ✦ Overtemperature Shutdown (SD)
- ✦ Reverse Current Protection

OPTIONAL FEATURES:

- ✦ Corrosive Environmental Fuel System
- ✦ Remote Start
- ✦ Bench Stand
- ✦ Operation Over 4,000m Elevation
- ✦ Cathodic Protection Interface



SPECIFICATIONS

POWER SPECIFICATIONS

POWER RATING AT 20°C (68°F)

480 Watts @ 12 Volts 480 Watts @ 48 Volts
550 Watts @ 24 Volts

ELECTRICAL

OUTPUT ADJUSTMENT RANGE

12 Volts 11.4–12.6 Volts
24 Volts 24–30 Volts
48 Volts 47–57 Volts

Output: Terminal block which accepts up to 8 AWG wire. Opening for 3/4" conduit in base of cabinet.

FUEL REQUIREMENTS

NATURAL GAS

48.0m³/day (1695 Sft³/day)
1000 BTU/Sft³ (37.7 MJ/Sm³) gas
max 115 mg/Sm³ (~170 ppmw) H₂S
max 120 mg/Sm³ H₂O
max 1% free O₂

PROPANE

76.0 L/day (20.1 US gal/day)

NATURAL GAS/PROPANE

Max. Supply Pressure: 172 kPa (25 psi)
Min. Supply Pressure NG: 103 kPa (15 psi)
Min. Supply Pressure LPG: 138 kPa (20 psi)
Fuel Connection: 1/4" Male NPT

ENVIRONMENTAL

AMBIENT OPERATING TEMPERATURE

Max. +45°C (115°F)
Min. -40°C (-40°F)

OPERATING CONDITIONS

Unsheltered operation, shaded at >45°C

Please contact GPT for operating conditions below -40°C or above +45°C.

CONSTRUCTION

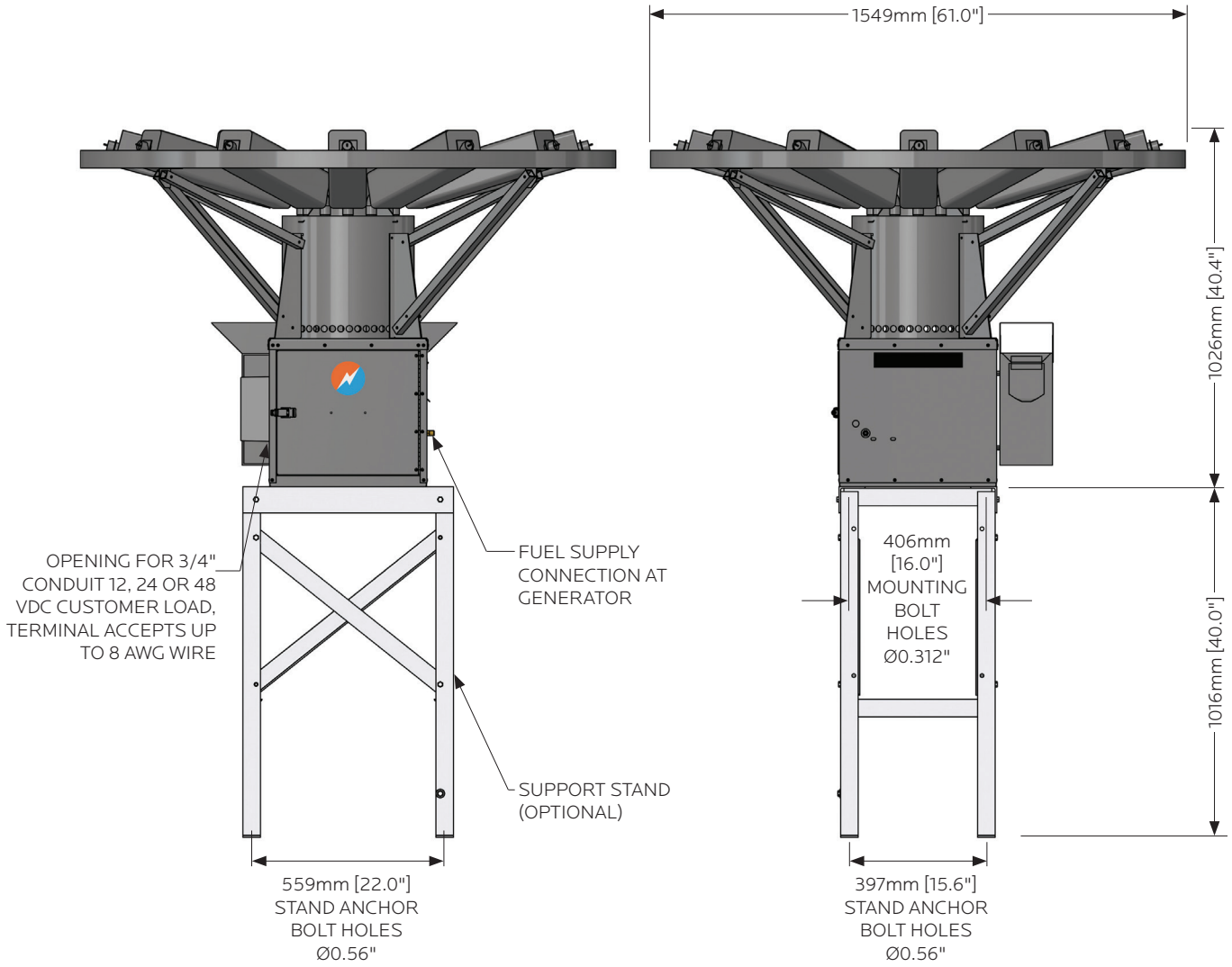
MATERIALS

Cabinet: 304 Stainless Steel (SS)
Cooling Type: Natural Convection
Fuel System: Brass, Aluminum & Stainless Steel

NOTES

Specifications shown are for standard 8550 configurations. Global Power Technologies (GPT) also offers customized products and systems to accommodate custom voltages, fuel supply systems and operating temperatures.

Specification data stated in this document is subject to change without notice. To verify these specifications are current, please contact your GPT sales representative.



NOTES:
Generator Weight: 102 kg [225 lb]

ISO
9001:2015
REGISTERED