

## MODEL 5060

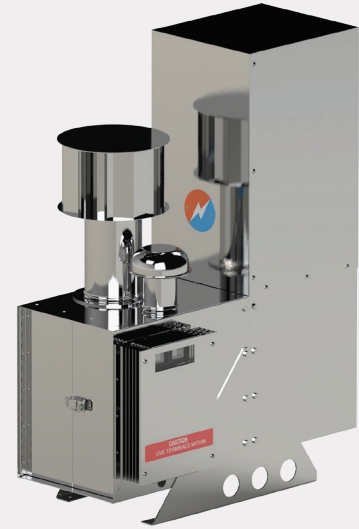
The Model 5060 Thermoelectric Generator contains no moving parts. It is a reliable, low-maintenance source of DC electrical power for applications where grid power is unavailable or unreliable.

### KEY FEATURES:

- ✓ Automatic Spark Ignition (SI)
- ✓ Automatic Fuel Shut-Off (SO)
- ✓ Fuel Filter
- ✓ Low Voltage Alarm Contacts (VSR)
- ✓ Volt & Amp Meter (6.7V excluded)
- ✓ Reverse Current Protection

### OPTIONAL FEATURES:

- ✓ Cathodic Protection Interface
- ✓ Pole or Bench Stand
- ✓ Corrosive Environmental Fuel System
- ✓ Flame Arrestor
- ✓ Remote Start



## SPECIFICATIONS

### POWER SPECIFICATIONS

#### POWER RATING AT 20°C (68°F)

60 Watts @ 6.7 Volts      54 Watts @ 24 Volts  
54 Watts @ 12 Volts      54 Watts @ 48 Volts

### ELECTRICAL

#### OUTPUT ADJUSTMENT RANGE

6.7 Volts      up to 11 Volts  
12 Volts      12–18 Volts  
24 Volts      24–30 Volts  
48 Volts      48–60 Volts

**Output:** Terminal block which accepts up to 8 AWG wire. Opening for 3/4" conduit in base of cabinet.

### FUEL REQUIREMENTS

#### NATURAL GAS

4.4m<sup>3</sup>/day (155 Sft<sup>3</sup>/day)  
1000 BTU/Sft<sup>3</sup> (37.7 MJ/Sm<sup>3</sup>) gas  
max 115 mg/Sm<sup>3</sup> (~170 ppmw) H<sub>2</sub>S  
max 120 mg/Sm<sup>3</sup> H<sub>2</sub>O  
max 1% free O<sub>2</sub>

#### PROPANE

5.7 L/day (1.5 US gal/day)

#### NATURAL GAS/PROPANE

Max. Supply Pressure: 172 kPa (25 psi)  
Min. Supply Pressure NG: 69 kPa (10 psi)  
Min. Supply Pressure LPG: 103 kPa (15 psi)  
Fuel Connection: 1/4" Male NPT

### ENVIRONMENTAL

#### AMBIENT OPERATING TEMPERATURE

Max. +45°C (115°F)  
Min. -40°C (-40°F)

#### OPERATING CONDITIONS

Unsheltered operation

Please contact GPT for operating conditions below -40°C or above +45°C.

### CONSTRUCTION

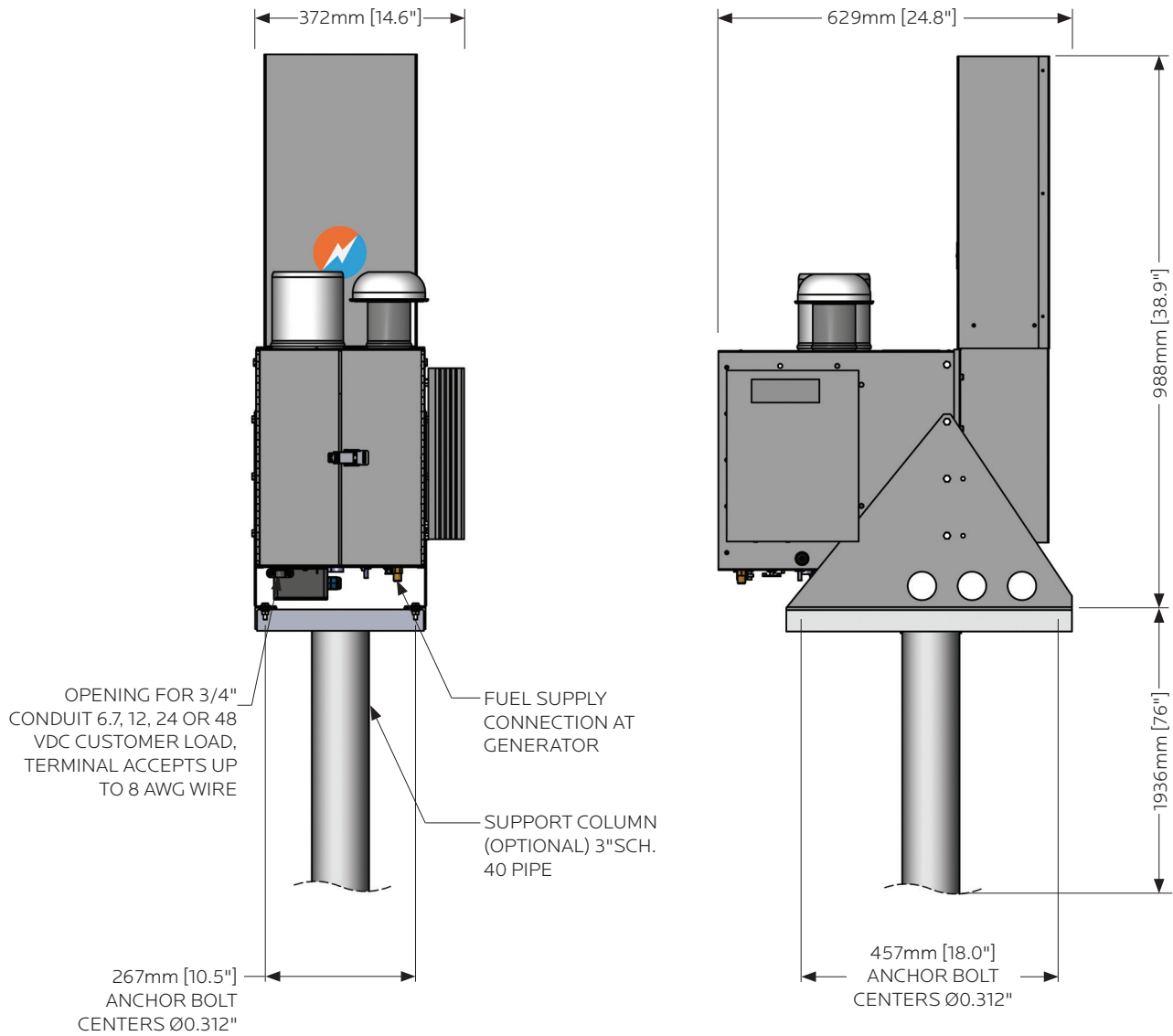
#### MATERIALS

Cabinet: 304 Stainless Steel (SS)  
Cooling Type: Natural Convection  
Fuel System: Brass, Aluminum & Stainless Steel

### NOTES

Specifications shown are for standard 5060 configurations. Global Power Technologies (GPT) also offers customized products and systems to accommodate custom voltages, fuel supply systems and operating temperatures.

Specification data stated in this document is subject to change without notice. To verify these specifications are current, please contact your GPT sales representative.



**NOTES:**  
Generator Weight: 41 kg [90 lb]

**ISO**  
9001:2015  
REGISTERED