

# MODEL 5060

## Thermoelectric Generator



The Model 5060 Thermoelectric Generator contains no moving parts. It is a reliable, low-maintenance source of DC electrical power for applications where grid power is unavailable or unreliable.

### KEY DESIGN FEATURES:

- ✓ Automatic Spark Ignition (SI)
- ✓ Automatic Fuel Shut-Off (SO)
- ✓ Fuel Filter
- ✓ Low Voltage Alarm Contacts (VSR)
- ✓ Volt & Amp Meter (6.7V excluded)
- ✓ Reverse Current Protection

### OPTIONAL FEATURES:

- ✓ Cathodic Protection Interface
- ✓ Pole Mount or Bench Stand
- ✓ Corrosive Environmental Fuel System
- ✓ Flame Arrestor



Specification Sheet

Power Specifications	Power Rating at 20°C:
----------------------	-----------------------

60 Watts @ 6.7 Volts
54 Watts @ 12 Volts
54 Watts @ 24 Volts
54 Watts @ 48 Volts

Electrical	Output Adjustment Range:
------------	--------------------------

6.7 V	up to 11 Volts
12 V	12-18 Volts
24 V	24-30 Volts
48 V	48-60 Volts

Output: Terminal block which accepts up to 8 AWG wire.  
Opening for 3/4" conduit in base of cabinet.

Fuel Requirements	Natural Gas:
-------------------	--------------

4.4m <sup>3</sup> /day (155 Sft <sup>3</sup> /day)
1000 BTU/Sft <sup>3</sup> (37.7 MJ/Sm <sup>3</sup> ) gas
max 115 mg/Sm <sup>3</sup> (~170 ppmw) H <sub>2</sub> S
max 120 mg/Sm <sup>3</sup> H <sub>2</sub> O
max 1% free O <sub>2</sub>

Propane:
----------

5.7 l/day (1.5 US gal/day)
----------------------------

Max. Supply Pressure: 172 kPa (25 psi)  
Min. Supply Pressure NG: 69 kPa (10 psi)  
Min. Supply Pressure LPG: 103 kPa (15 psi)  
Fuel Connection: 1/4" MNPT

Environmental	Ambient Operating Temperature:
---------------	--------------------------------

Max. +45°C (115°F)
Min. -40°C (-40°F)

Operating Conditions:
-----------------------

Unsheltered operation
-----------------------

Please contact GPT for operating conditions below -40°C or above +45°C.

Construction	Materials:
--------------	------------

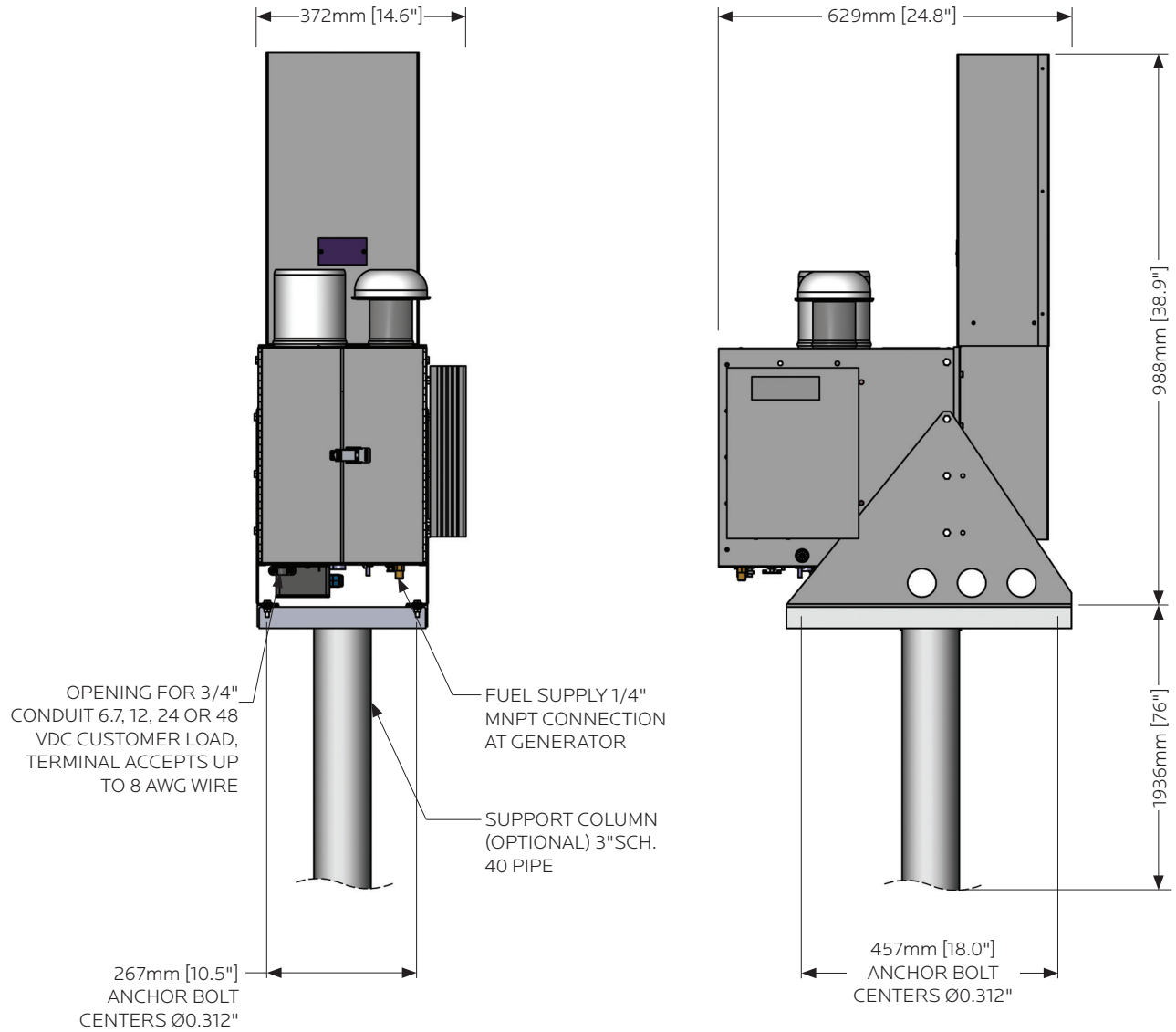
Cabinet:	304 Stainless Steel (SS)
Cooling Type:	Natural Convection
Fuel System:	Brass, Aluminum & SS

#### Note:

Specifications shown are for standard 5060 configurations. Global Power Technologies (GPT) also offers customized products and systems to accommodate custom voltages, fuel supply systems and operating temperatures.

Specification data stated in this document is subject to change without notice. To verify these specifications are current, please contact your GPT sales representative.

**P** 403 236 5556  
**E** gptsales@globalte.com  
**W** www.globalte.com



**NOTES:**

Generator Weight: 41 kg [90 lb]

Model: 5060

**Global Power Technologies**

**p** 403 236 5556  
**e** gptsales@globalte.com  
**w** globalte.com

16, 7875 – 57 Street SE  
Calgary, Alberta, Canada T2C 5K7