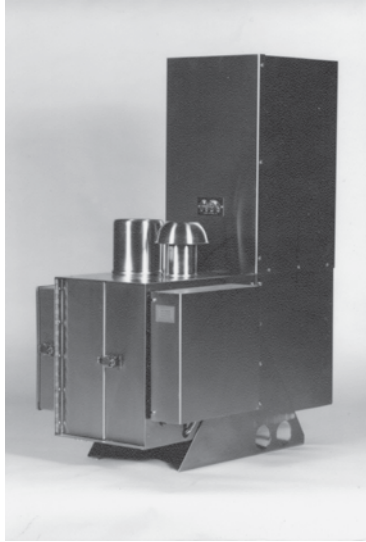


# Model 5120 Thermolectric Generators



## Standard Features

- Automatic Spark Ignition (SI)
- Automatic Fuel Shut-off (SO)
- Fuel Filter
- Low Voltage Alarm Contacts (VSR)
- Volt & Amp Meter

## Optional Features

- Cathodic Protection Interface
- Pole Mount or bench stand
- Corrosive Environmental Fuel System
- Flame Arrestor
- Marine Service

Note: Specifications shown are for standard configurations. Global Thermolectric's Integrated Systems Engineering Department is available to design custom voltages, fuel supply systems and non-standard operating temperatures.



Global Thermolectric's Model 5120 Thermolectric Generator contains no moving parts. It is a reliable, low maintenance source of DC electrical power for any application where regular utilities are unavailable or unreliable.

## Power Specifications

Power Rating at 20°C  
120 Watts at 6.7 Volts  
108 Watts at 12 Volts  
108 Watts at 24 Volts  
108 Watts at 48 Volts

## Electrical

Adjustment:	6.7V	up to 11 Volts
	12 V	12 - 18 Volts
	24 V	24 - 30 Volts
	48 V	48 - 60 Volts

Reverse current protection included.

Output: Terminal block which accepts up to 8 AWG wire. Opening for 3/4" conduit in the base of the cabinet.

## Fuel

Natural Gas:	8.8 m <sup>3</sup> /day (311 Sft <sup>3</sup> /day) of Std. 1000 BTU/Sft <sup>3</sup> (37.7 MJ/SM <sup>3</sup> ) gas max 7 mg/Sm <sup>3</sup> (~5 ppm) H <sub>2</sub> S max 120 mg/Sm <sup>3</sup> H <sub>2</sub> O max 1% free O <sub>2</sub>
Propane:	11.4 l/day (3.0 US gal/day)
Max. Supply Pressure:	1724 kPa (250 psi)
Min. Supply Pressure:	103 kPa (15 psi)
Fuel Connection:	1/4" MNPT

## Environmental

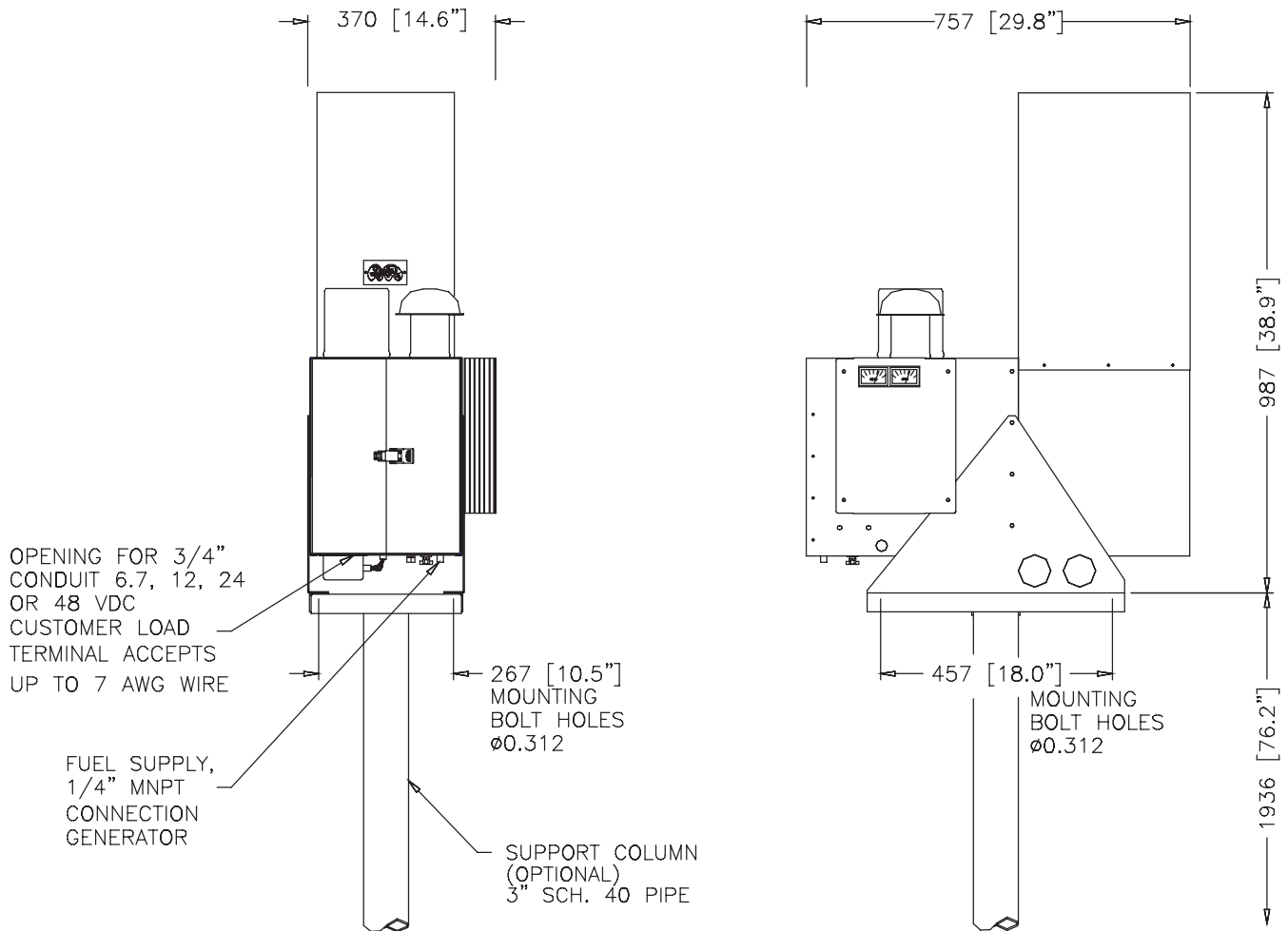
Ambient Operation Temperature: Max. 45°C (115°F) Min. -40°C (-40°F).  
Operating Conditions: Unsheltered operation  
Please contact Global for operating conditions below -40°C or above +45°C.

## Materials of Construction

Cabinet:	304 SS
Cooling Type:	Natural Convection
Fuel System:	Brass, Aluminum & SS



# Typical Installation



- NOTES:  
 1. GENERATOR WEIGHT: 60 kg [132 lb].  
 2. DIMENSIONS IN mm [INCHES].



Power where you need it.

**Corporate Office**  
 9, 3700 - 78 Avenue SE  
 Calgary, Alberta T2C 2L8 CANADA  
 Phone: (403) 236-5556  
 Fax: (403) 236-5575  
 www.globalte.com

**US Sales**  
 P.O. Box 38624  
 Houston, TX 77238  
 Phone: (281) 445-1515  
 Fax: (281) 445-6060  
 Toll Free: 1 800 848-4113

Model 5120 Thermoelectric Generator